

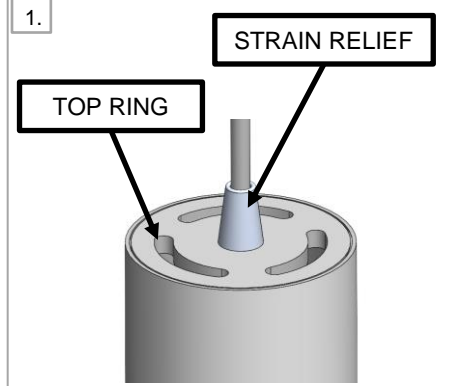
READ ALL THESE INSTRUCTION BEFORE INSTALLING

**WARNING - RISK OF FIRE AND ELECTRICAL SHOCK. FIXTURE MUST BE INSTALLED BY A QUALIFIED ELECTRICIAN ONLY. FIXTURE IS INTENDED FOR INSTALLATION IN ACCORDANCE WITH THE NATIONAL ELECTRICAL CODE, LOCAL AND FEDERAL SPECIFICATIONS. DISCONNECT POWER AT ELECTRICAL PANEL BEFORE SERVICING. CONNECTION OF LUMINAIRE TO POWERED DRIVER WILL RESULT IN PERMANENT DAMAGE TO THE LED AND VOIDED PRODUCT WARRANTY.**

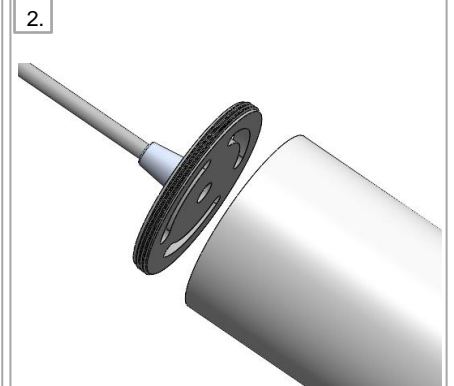
RETAIN THESE INSTRUCTIONS FOR MAINTENANCE REFERENCE.



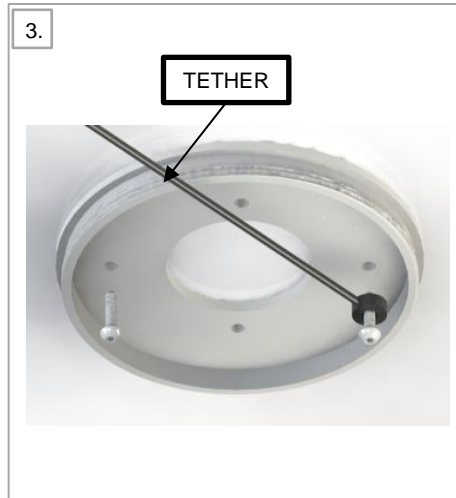
1. REMOVE THE TOP RING OF THE BONGO PENDANT BY UNSCREWING IT. LOOSEN THE STRAIN RELIEF ON THE COVER AND MOVE IT ALONG THE POWER CORD TO THE DESIRED HEIGHT.



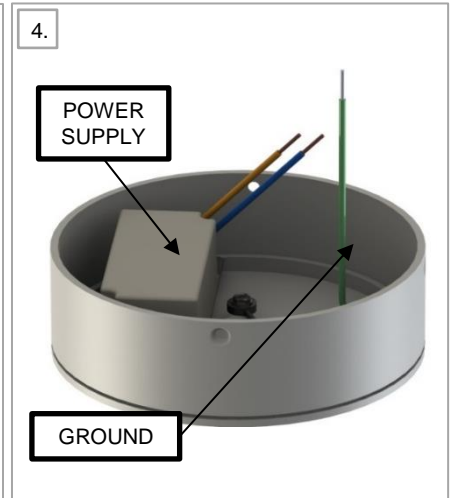
2. CUT AND STRIP THE CABLE TO REVEAL 2 WIRES, STRIP THE 2 WIRES AND CONNECT TO THE BONGO USING THE WAGO CONNECTORS ALREADY ON THE FIXTURE, RED TO RED AND BLACK TO BLACK. TIGHTEN THE STRAIN RELIEF TO LOCK THE FIXTURE IN POSITION AND RE ATTACH THE COVER TO THE BONGO.



3. UNSCREW THE TOP COVER FROM THE CANOPY AND ATTACH IT TO A STANDARD J-BOX ON THE CEILING. ATTACH A TETHER FOR ADDITIONAL SECURITY.



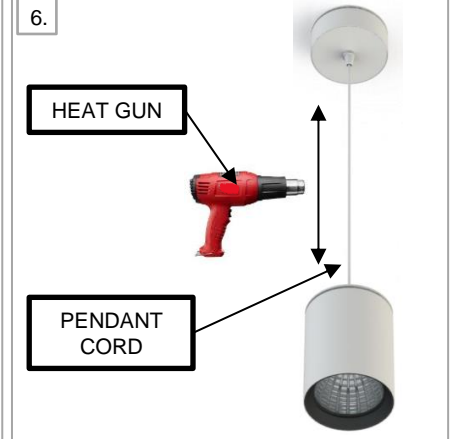
4. CONNECT MAIN POWER LINES TO THE POWER SUPPLY AS PER LABELS. CONNECT GROUND TO GREEN ON THE FIXTURE, NEUTRAL TO WHITE/BLUE ON THE FIXTURE AND HOT TO BLACK/BROWN ON THE FIXTURE.



5. SCREW IN THE FIXTURE TO THE TOP COVER MOUNTED ON THE J-BOX VERY CAREFULLY AND MAKE SURE IT IS FULLY SECURE. TURN POWER BACK ON TO VERIFY IF THE FIXTURE WAS PROPERLY INSTALLED.



6. IF THE PENDANT CORD IS NOT STRAIGHT AFTER INSTALLATION, USE A HEATGUN TO STRAIGHTEN IT OUT WHILE IT IS HANGING, BEFORE TURNING ON THE POWER.



**NOTE: THIS FIXTURE MUST BE HANDLED WITH CARE WHILE HANDLING.**



READ ALL THESE INSTRUCTION BEFORE INSTALLING

**WARNING - RISK OF FIRE AND ELECTRICAL SHOCK. FIXTURE MUST BE INSTALLED BY A QUALIFIED ELECTRICIAN ONLY. FIXTURE IS INTENDED FOR INSTALLATION IN ACCORDANCE WITH THE NATIONAL ELECTRICAL CODE, LOCAL AND FEDERAL SPECIFICATIONS. DISCONNECT POWER AT ELECTRICAL PANEL BEFORE SERVICING. CONNECTION OF LUMINAIRE TO POWERED DRIVER WILL RESULT IN PERMANENT DAMAGE TO THE LED AND VOIDED PRODUCT WARRANTY.**

**RETAIN THESE INSTRUCTIONS FOR MAINTENANCE REFERENCE.**

1. REMOVE THE CANOPY COVER OF THE BONGO PENDANT BY UNSCREWING IT.

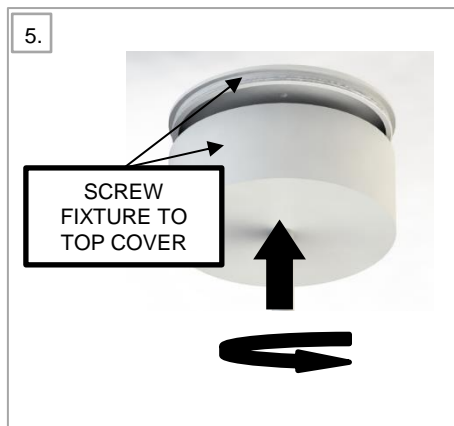
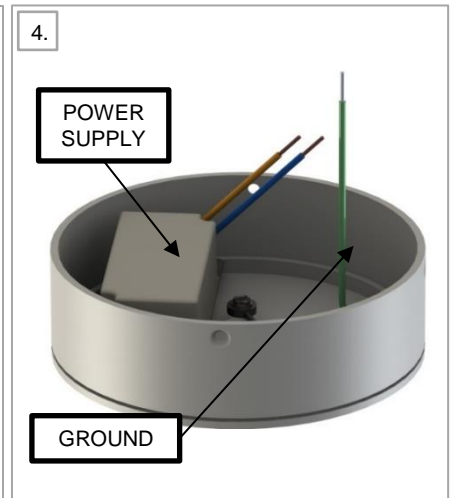
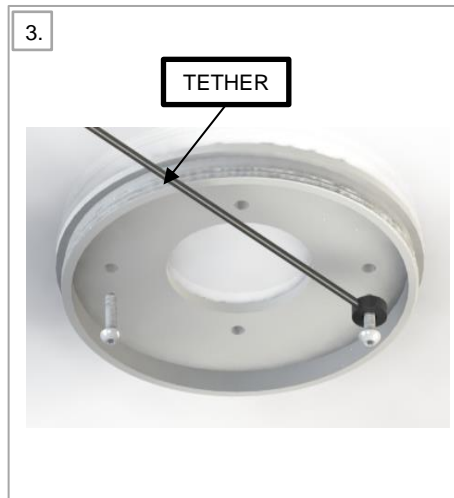
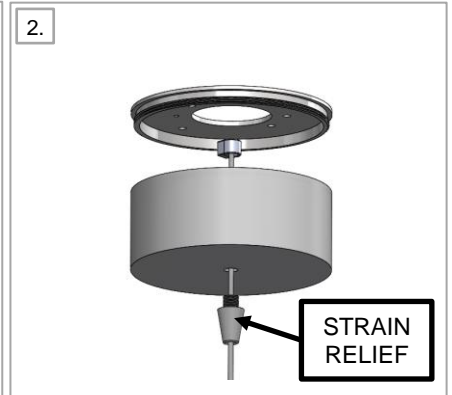
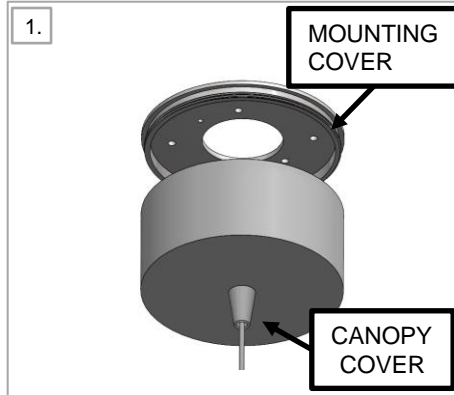
2. LOOSEN THE STRAIN RELIEF ON THE CANOPY COVER AND MOVE IT ALONG THE POWER CORD TO THE DESIRED HEIGHT. DISCONNECT THE WIRE THAT IS CONNECTED TO DRIVER USING WAGO CONNECTOR. CUT AND STRIP THE CABLE TO REVEAL 2 WIRES, STRIP THE 2 WIRES AND RE-CONNECT TO THE DRIVER USING THE WAGO CONNECTORS ALREADY IN THE CANOPY, RED TO RED AND BLACK TO BLACK. TIGHTEN THE STRAIN RELIEF TO LOCK THE FIXTURE IN POSITION AND REATTACH THE CANOPY COVER TO THE MOUNTING COVER.

3. UNSCREW THE TOP COVER FROM THE CANOPY AND ATTACH IT TO A STANDARD J-BOX ON THE CEILING. ATTACH A TETHER FOR ADDITIONAL SECURITY.

4. CONNECT MAIN POWER LINES TO THE POWER SUPPLY AS PER LABELS. CONNECT GROUND TO GREEN ON THE FIXTURE, NEUTRAL TO WHITE/BLUE ON THE FIXTURE AND HOT TO BLACK/BROWN ON THE FIXTURE.

5. SCREW IN THE FIXTURE TO THE TOP COVER MOUNTED ON THE J-BOX VERY CAREFULLY AND MAKE SURE IT IS FULLY SECURE. TURN POWER BACK ON TO VERIFY IF THE FIXTURE WAS PROPERLY INSTALLED.

**NOTE:** THIS FIXTURE MUST BE HANDLED WITH CARE WHEN UNBOXING AND WHILE HANDLING.



READ ALL THESE INSTRUCTION BEFORE INSTALLING

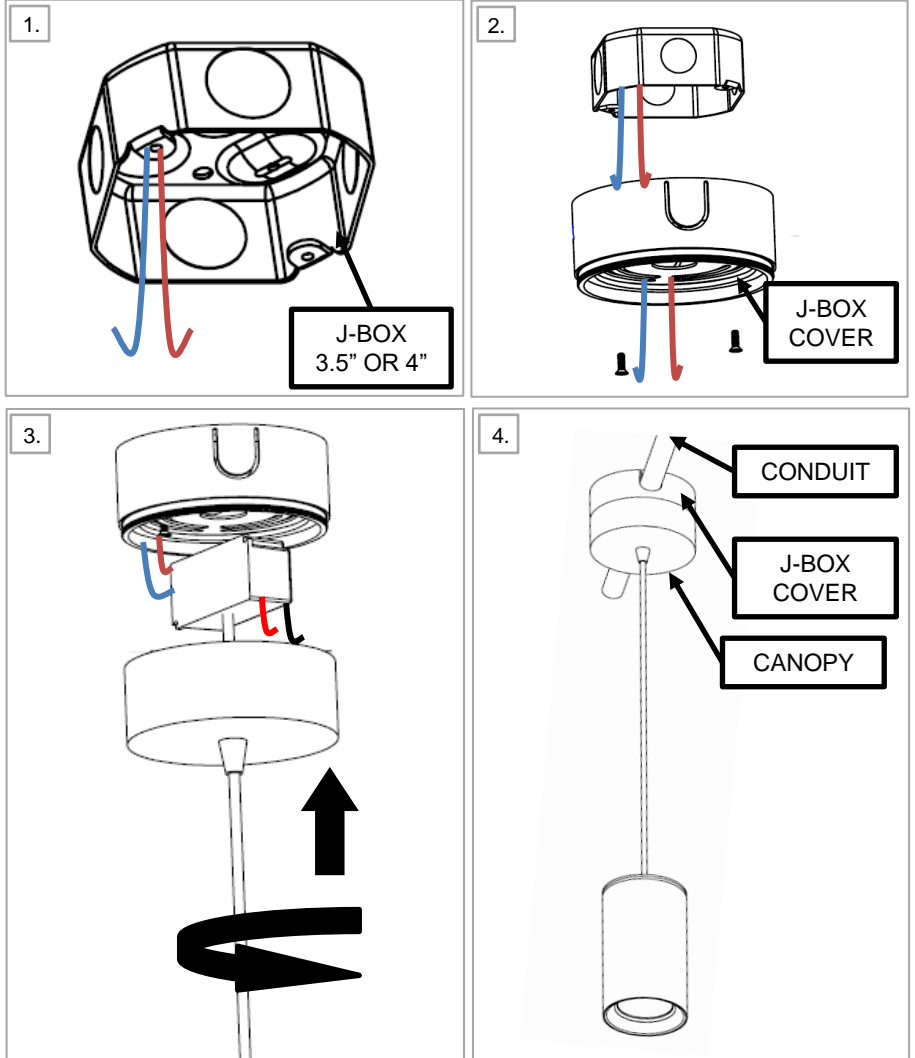
**WARNING - RISK OF FIRE AND ELECTRICAL SHOCK. FIXTURE MUST BE INSTALLED BY A QUALIFIED ELECTRICIAN ONLY. FIXTURE IS INTENDED FOR INSTALLATION IN ACCORDANCE WITH THE NATIONAL ELECTRICAL CODE, LOCAL AND FEDERAL SPECIFICATIONS. DISCONNECT POWER AT ELECTRICAL PANEL BEFORE SERVICING. CONNECTION OF LUMINAIRE TO POWERED DRIVER WILL RESULT IN PERMANENT DAMAGE TO THE LED AND VOIDED PRODUCT WARRANTY.**

RETAIN THESE INSTRUCTIONS FOR MAINTENANCE REFERENCE.



1. J-BOX 3.5" OR 4" NEEDS TO BE PRIOR INSTALLED ON THE CONCRETE CEILING SURFACE MOUNTED.
2. UNSCREW THE J-BOX COVER FROM THE CANOPY, KNOCKOUT THE REQUIRED CUT-OUT FROM THE J-BOX COVER FOR THE CONDUIT, PULL OUT THE WIRES OF THE MAIN LINE BLUE AND BROWN FROM THE J-BOX COVER AND SCREW THE J-BOX COVER ON THE J-BOX USING 2 SCREWS #8-32 x 0.75" LONG SUPPLIED BY OTHERS. THE TOP PART OF THE J-BOX COVER WILL STAY IN CONTACT WITH CONCRETE CEILING.
3. CONNECT THE WIRES OF HIGH VOLTAGE FROM DRIVER TO MAIN LINE, BLUE WITH BLUE AND BROWN WITH BROWN AND THREAD THE CANOPY ON THE J-BOX COVER THAT IS ALREADY INSTALLED. THE DRIVER WILL STAY INSIDE OF THE CANOPY.
4. CONNECT THE CONDUIT TO THE J-BOX COVER

**NOTE:** THIS FIXTURE MUST BE HANDLED WITH CARE WHEN UNBOXING AND WHILE HANDLING.



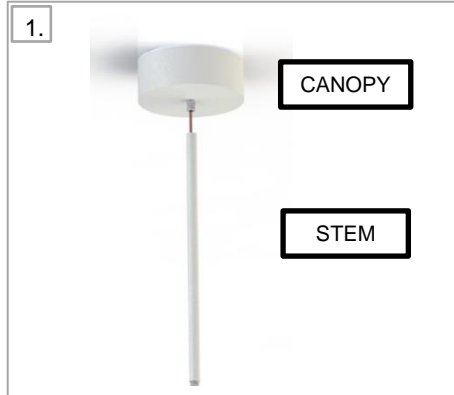
READ ALL THESE INSTRUCTION BEFORE INSTALLING

**WARNING - RISK OF FIRE AND ELECTRICAL SHOCK. FIXTURE MUST BE INSTALLED BY A QUALIFIED ELECTRICIAN ONLY. FIXTURE IS INTENDED FOR INSTALLATION IN ACCORDANCE WITH THE NATIONAL ELECTRICAL CODE, LOCAL AND FEDERAL SPECIFICATIONS. DISCONNECT POWER AT ELECTRICAL PANEL BEFORE SERVICING. CONNECTION OF LUMINAIRE TO POWERED DRIVER WILL RESULT IN PERMANENT DAMAGE TO THE LED AND VOIDED PRODUCT WARRANTY.**

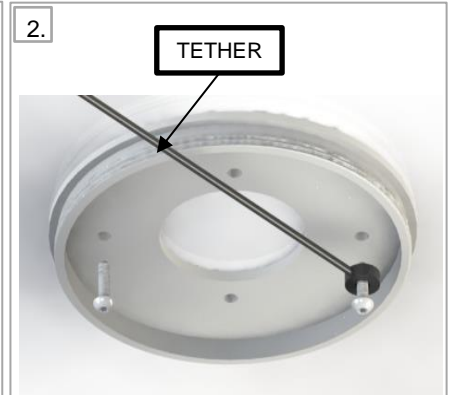
RETAIN THESE INSTRUCTIONS FOR MAINTENANCE REFERENCE.



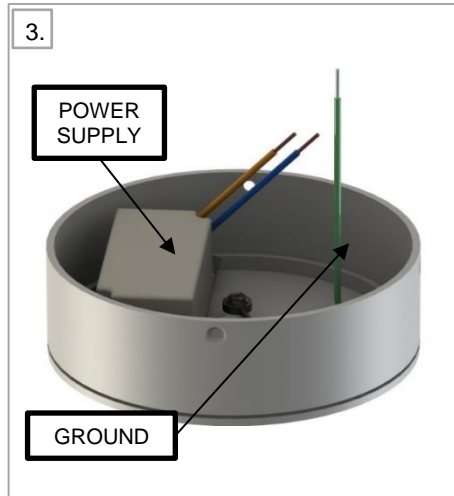
1. THREAD STEMS ALL TOGETHER. FEED WIRE INTO CANOPY AND SCREW CANOPY TO STEM. MAKE SURE THE STEM IS SECURE WITH THE CANOPY AND OTHER THREADS ARE NOT COMPROMISED OR BECOME LOOSE.



2. UNSCREW THE MOUNTING COVER FROM THE CANOPY AND ATTACH IT TO A STANDARD J-BOX ON THE CEILING. ATTACH A TETHER FOR ADDITIONAL SECURITY.



3. CONNECT MAIN POWER LINES TO THE POWER SUPPLY AS PER LABELS. CONNECT GROUND TO GREEN ON THE FIXTURE, NEUTRAL TO WHITE/BLUE ON THE FIXTURE AND HOT TO BLACK/BROWN ON THE FIXTURE.



4. SCREW IN THE FIXTURE TO THE TOP COVER MOUNTED ON THE J-BOX VERY CAREFULLY AND MAKE SURE IT IS FULLY SECURE. TURN POWER BACK ON TO VERIFY IF THE FIXTURE WAS PROPERLY INSTALLED.



**NOTE:** THIS FIXTURE MUST BE HANDLED WITH CARE WHEN UNBOXING AND WHILE HANDLING.

READ ALL THESE INSTRUCTION BEFORE INSTALLING

**WARNING - RISK OF FIRE AND ELECTRICAL SHOCK. FIXTURE MUST BE INSTALLED BY A QUALIFIED ELECTRICIAN ONLY. FIXTURE IS INTENDED FOR INSTALLATION IN ACCORDANCE WITH THE NATIONAL ELECTRICAL CODE, LOCAL AND FEDERAL SPECIFICATIONS. DISCONNECT POWER AT ELECTRICAL PANEL BEFORE SERVICING. CONNECTION OF LUMINAIRE TO POWERED DRIVER WILL RESULT IN PERMANENT DAMAGE TO THE LED AND VOIDED PRODUCT WARRANTY.**

RETAIN THESE INSTRUCTIONS FOR MAINTENANCE REFERENCE.



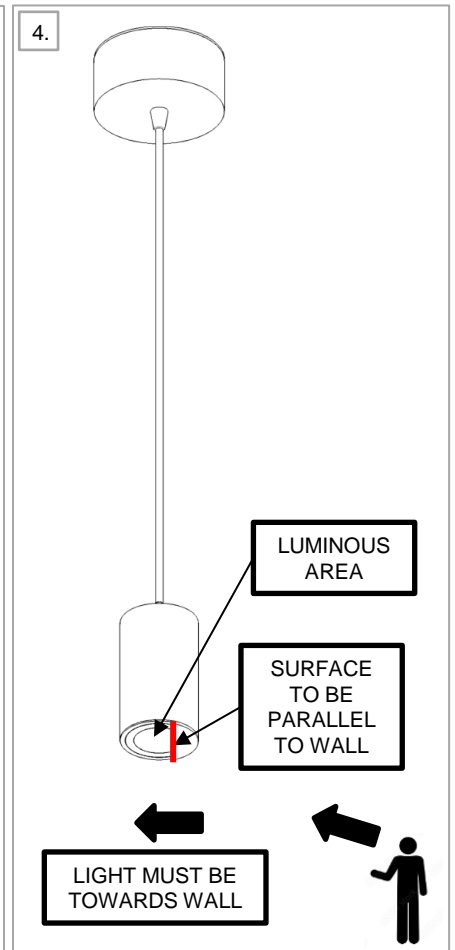
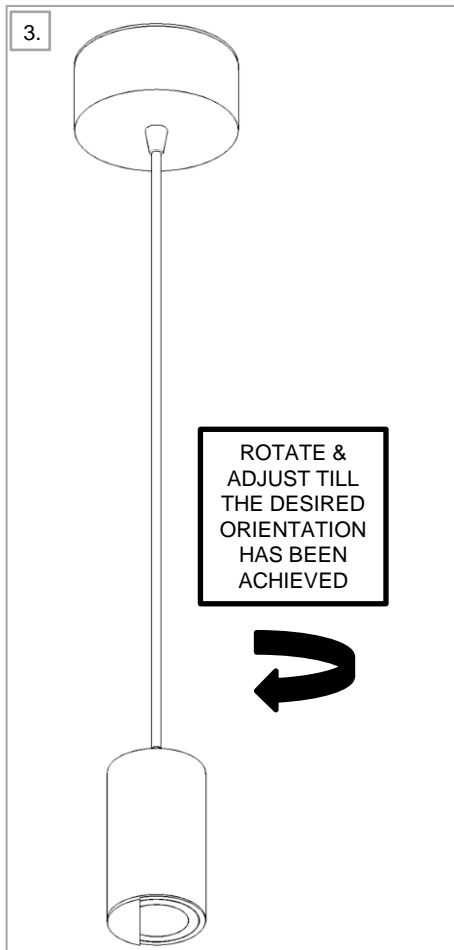
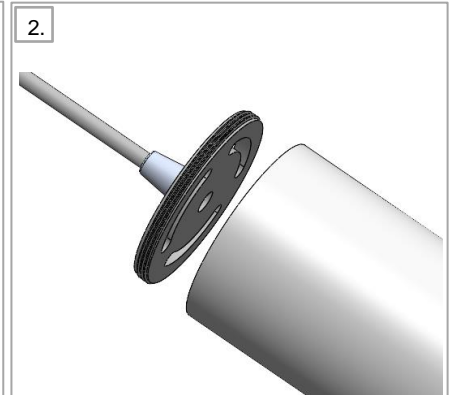
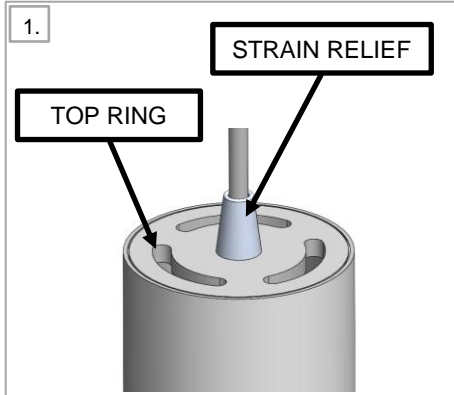
1. REMOVE THE TOP RING OF THE BONGO PENDANT BY UNSCREWING IT. LOOSEN THE STRAIN RELIEF ON THE COVER AND MOVE IT ALONG THE POWER CORD TO THE DESIRED HEIGHT.

2. CUT AND STRIP THE CABLE TO REVEAL 2 WIRES, STRIP THE 2 WIRES AND CONNECT TO THE BONGO USING THE WAGO CONNECTORS ALREADY ON THE FIXTURE, RED TO RED AND BLACK TO BLACK. TIGHTEN THE STRAIN RELIEF TO LOCK THE FIXTURE IN POSITION AND RE ATTACH THE COVER TO THE BONGO.

3. FOLLOW THE INSTALLATION INSTRUCTIONS OF THE BONOG 1 PM SERIES. **TO ADJUST THE WAY THE FIXTURE IS ORIENTED WITH RESPECT TO THE WALL**, LOOSEN THE STRAIN RELIEF NEAR THE BODY BUT DO NOT COMPLETELY REMOVE IT. **MAKE SURE TO HOLD THE FIXTURE AND NOT LEAVE IT HANGING FREELY DURING THE ADJUSTMENT.** ROTATE THE FIXTURE SUCH THAT OPTIMAL ORIENTATION HAS BEEN ACHIEVED WITH RESPECT TO THE OBSERVER & THE WALL.

4. IF NOT ALREADY DONE, YOU MAY HAVE TO ROTATE THE SHIELD SUCH THAT THE LUMINOUS AREA IS CLOSER TO THE WALL AND THE NON-LUMINOUS AREA IS CLOSER TO THE EYE. ENSURE THERE IS NO GLARE TOWARDS YOU. ENSURE THAT THE SHIELD IS ALIGNED CORRECTLY AND OPTIMAL ORIENTATION HAS BEEN ACHIEVED. PROCEED TO TURN THE POWER ON

**NOTE:** THIS FIXTURE MUST BE HANDLED WITH CARE WHILE HANDLING.



READ ALL THESE INSTRUCTION BEFORE INSTALLING

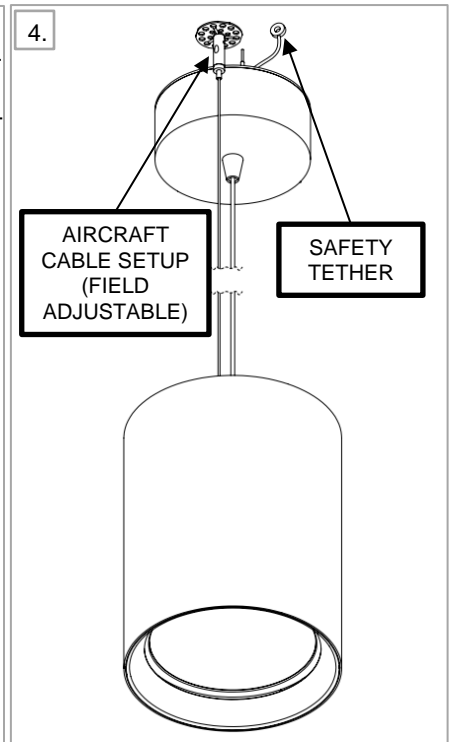
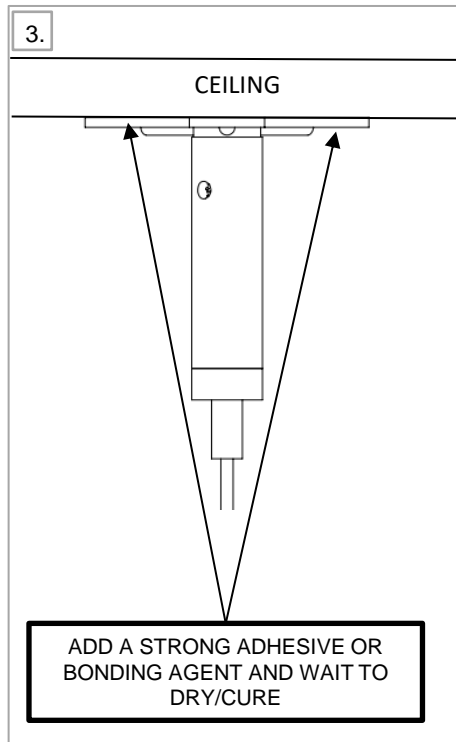
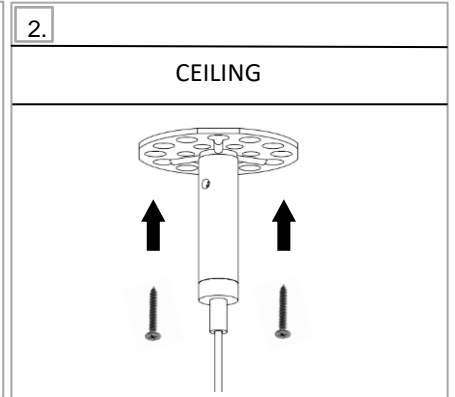
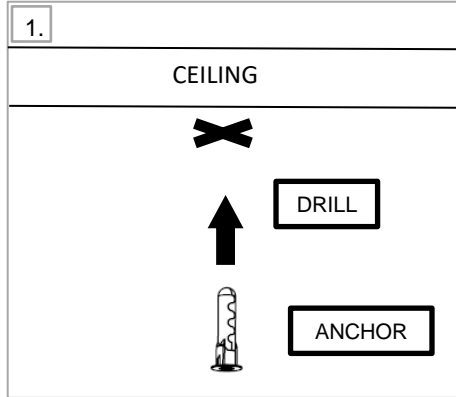
**WARNING - RISK OF FIRE AND ELECTRICAL SHOCK. FIXTURE MUST BE INSTALLED BY A QUALIFIED ELECTRICIAN ONLY. FIXTURE IS INTENDED FOR INSTALLATION IN ACCORDANCE WITH THE NATIONAL ELECTRICAL CODE, LOCAL AND FEDERAL SPECIFICATIONS. DISCONNECT POWER AT ELECTRICAL PANEL BEFORE SERVICING. CONNECTION OF LUMINAIRE TO POWERED DRIVER WILL RESULT IN PERMANENT DAMAGE TO THE LED AND VOIDED PRODUCT WARRANTY.**

**RETAIN THESE INSTRUCTIONS FOR MAINTENANCE REFERENCE.**

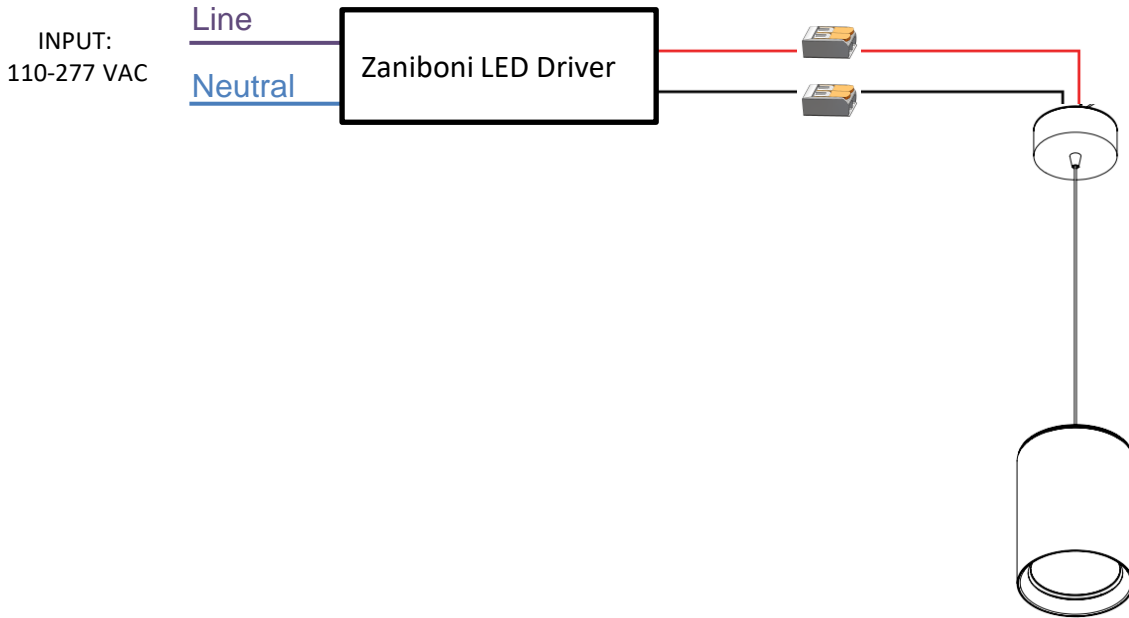


1. USING THE ADHESIVE MOUNTING STUDS AS REFERENCE, DRILL 3-4 HOLES IN THE CEILING AND INSERT THE ANCHOR FOR THE APPROPRIATE CEILING. (IF THE FIXTURE IS HEAVY, USE **HEAVY-DUTY ANCHORS**)
2. THROUGH THE DRILLED HOLES, PLACE THE ADHESIVE MOUNTED STUDS. INSERT THE SCREWS THROUGH THE STUDS AND SCREW THEM INTO THE CEILING.
3. SECURE THE STUDS TO THE CEILING FURTHER BY APPLYING THE APPROPRIATE ADHESIVE OR BONDING AGENT SO THAT IT IS FULLY SECURE. WAIT FOR IT TO DRY/CURE.
4. **NOTE: MAKE SURE THAT THE AIRCRAFT CABLE SETUP IS COMPLETELY SECURE BEFORE AND AFTER ATTACHING IT TO THE LUMINAIRE.**

**NOTE:** THIS FIXTURE MUST BE HANDLED WITH CARE WHEN UNBOXING AND WHILE HANDLING.



ELV, NON-DIM, BLUETOOTH DRIVER



0-10V DRIVER

